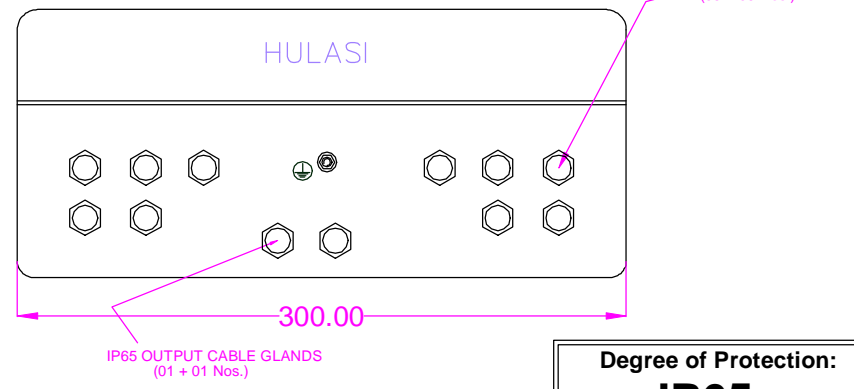
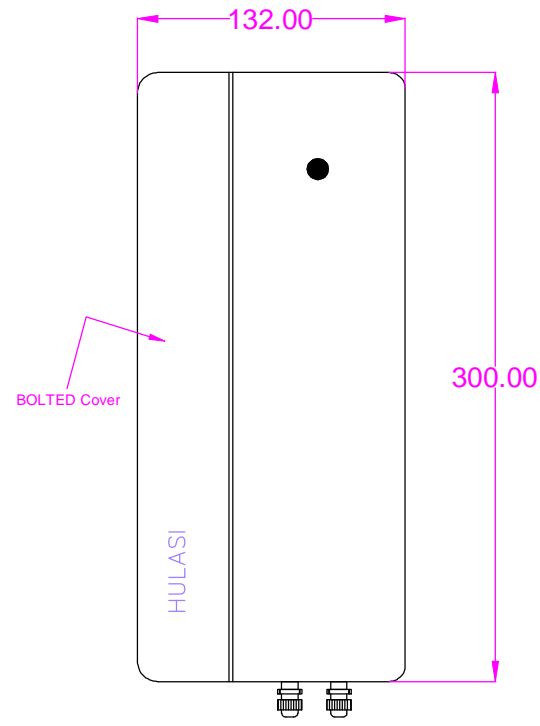
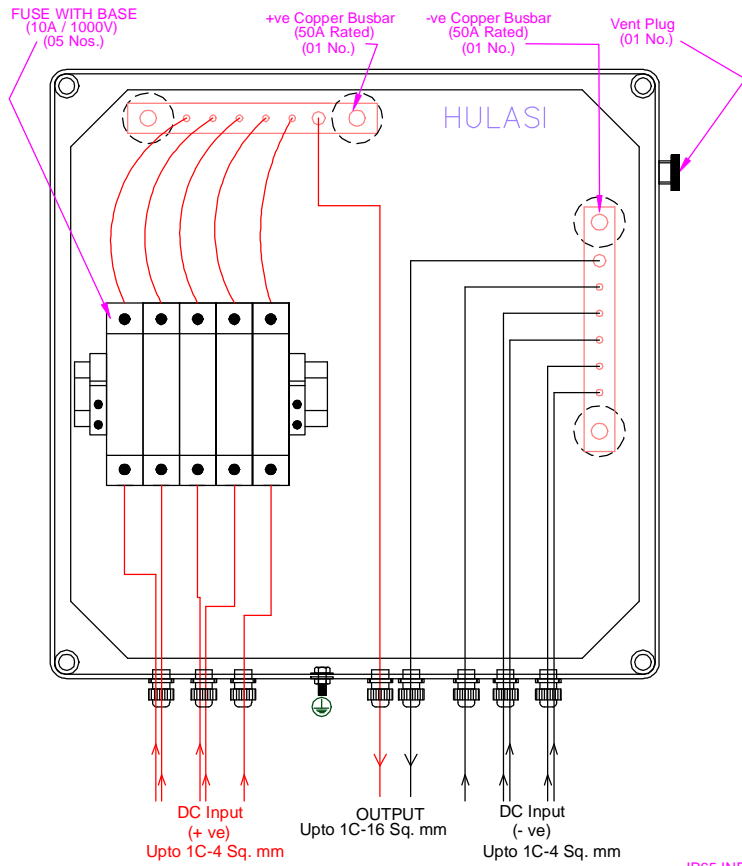


Degree of Protection:
IP65

"Pre production / tender stage drawing - Drg. is for reference only."

ALL DIMENSIONS IN MM.						MATERIAL: Polycarbonate		
REV. BY -			SUPERSEDES -			THIS DRAWING IS A PROPERTY OF HULASI METALS PVT. LTD. AND MUST NOT BE COPIED OR REPRODUCED IN ANY FORM WITHOUT WRITTEN PERMISSION		
REV. DATE -			SUPERSEDED BY -					
REV. A B C D E			OBSOLETE BY -					
CUSTOMER -						DRAWN	CHECKED	APPROVED
PROJECT:						DATE	18-05-12	18-05-12
FINISH -						SIGN.		
SCALE - NTS	DWG. NO. - AJB_5I_PC_ECO					BY.	JV	VIVEK JAIN
TITLE: Array Junction Box (5 Input 1 Output) (ECO Model for Poly Crystalline Panels)						HULASI METALS PVT. LTD. JAIPUR		

Overall dimensions are in mm & subject to tolerance of +/- 5mm & center to center +/- 2mm

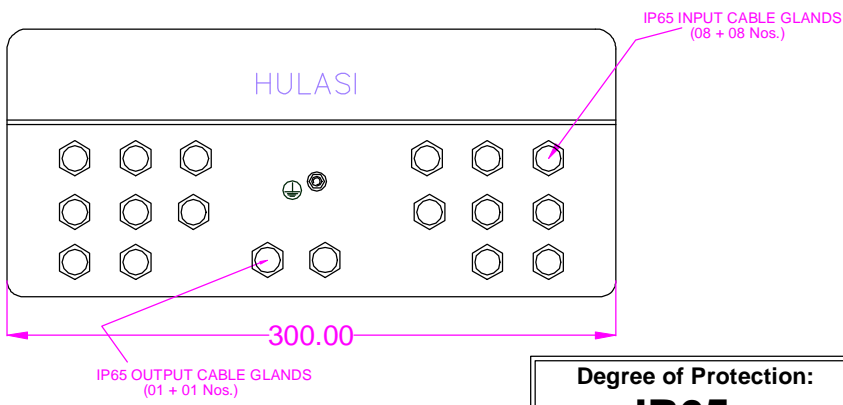
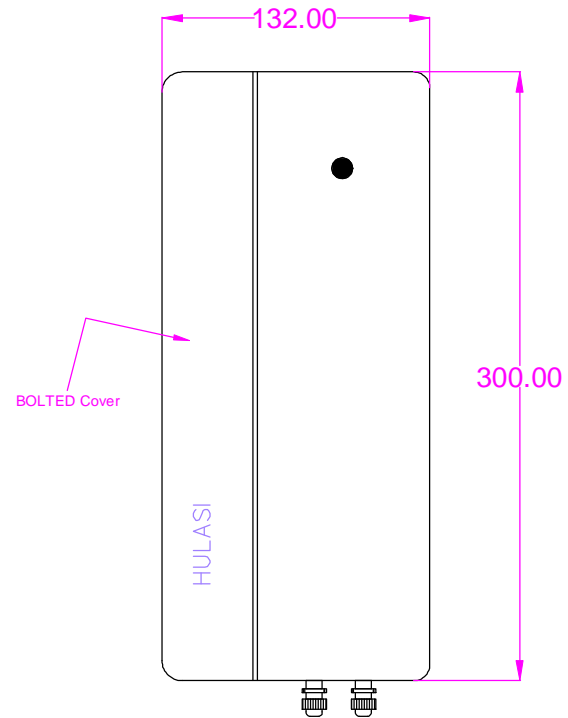
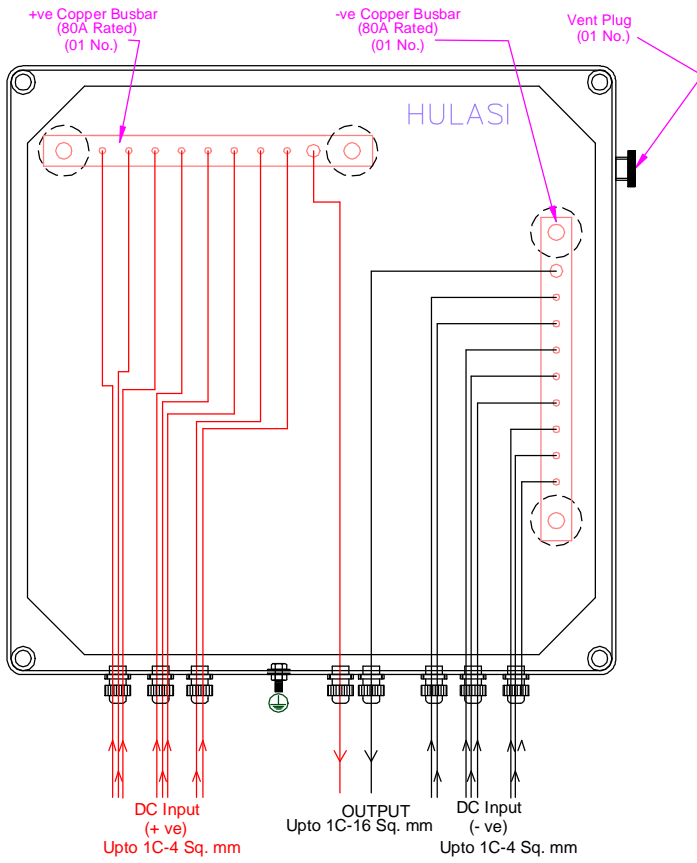


Degree of Protection:
IP65

"Pre production / tender stage drawing - Drg. is for reference only."

ALL DIMENSIONS IN MM.						MATERIAL: Polycarbonate			
REV. BY -			SUPERSEDES -			THIS DRAWING IS A PROPERTY OF HULASI METALS PVT. LTD. AND MUST NOT BE COPIED OR REPRODUCED IN ANY FORM WITHOUT WRITTEN PERMISSION			
REV. DATE -			SUPERSEDED BY -						
REV.	A	B	C	D	E				OBSOLETE BY -
CUSTOMER -							DRAWN	CHECKED	APPROVED
PROJECT:						DATE	18-05-12		18-05-12
FINISH -						SIGN.			
SCALE - NTS	DWG. NO. - AJB_5I_PC_STD					BY.	JV		VIVEK JAIN
TITLE: Array Junction Box (5 Input 1 Output) (STD Model for Poly Crystalline Panels)						HULASI METALS PVT. LTD. JAIPUR			

Overall dimensions are in mm & subject to tolerance of +/- 5mm & center to center +/- 2mm

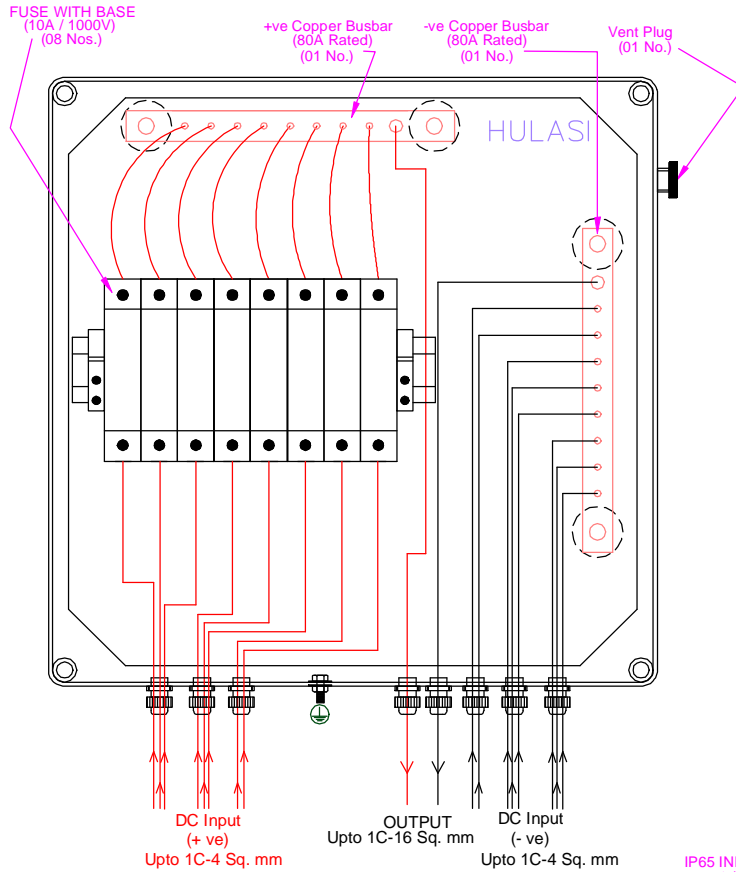


Degree of Protection:
IP65

"Pre production / tender stage drawing - Drg. is for reference only."

ALL DIMENSIONS IN MM.						MATERIAL: Polycarbonate			
REV. BY -			SUPERSEDES -			THIS DRAWING IS A PROPERTY OF HULASI METALS PVT. LTD. AND MUST NOT BE COPIED OR REPRODUCED IN ANY FORM WITHOUT WRITTEN PERMISSION			
REV. DATE -			SUPERSEDED BY -						
REV.	A	B	C	D	E				OBSOLETE BY -
CUSTOMER -							DRAWN	CHECKED	APPROVED
PROJECT:						DATE	18-05-12		18-05-12
FINISH -						SIGN.			
SCALE - NTS	DWG. NO. - AJB_8I_PC_ECO					BY.	JV		VIVEK JAIN
TITLE: Array Junction Box (8 Input 1 Output) (ECO Model for Poly Crystalline Panels)						HULASI METALS PVT. LTD. JAIPUR			

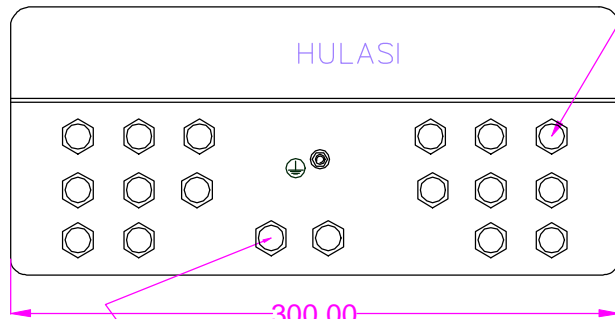
Overall dimensions are in mm & subject to tolerance of +/- 5mm & center to center +/- 2mm



DC Input (+ ve)
Upto 1C-4 Sq. mm

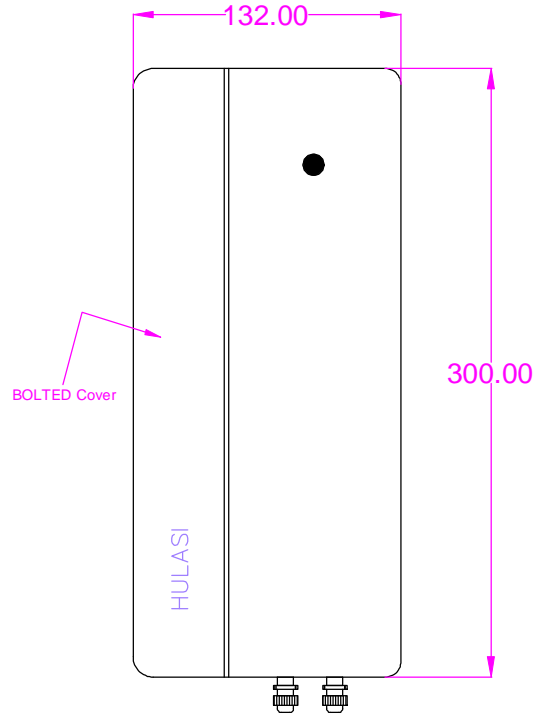
OUTPUT
Upto 1C-16 Sq. mm

DC Input (- ve)
Upto 1C-4 Sq. mm



IP65 OUTPUT CABLE GLANDS
(01 + 01 Nos.)

Degree of Protection:
IP65



"Pre production / tender stage drawing - Drg. is for reference only."

ALL DIMENSIONS IN MM.						MATERIAL: Polycarbonate			
REV. BY -			SUPERSEDES -			THIS DRAWING IS A PROPERTY OF HULASI METALS PVT. LTD. AND MUST NOT BE COPIED OR REPRODUCED IN ANY FORM WITHOUT WRITTEN PERMISSION			
REV. DATE -			SUPERSEDED BY -						
REV.	A	B	C	D	E				OBSOLETE BY -
CUSTOMER -							DRAWN	CHECKED	APPROVED
PROJECT:						DATE	18-05-12		18-05-12
FINISH -						SIGN.			
SCALE - NTS	DWG. NO. - AJB_8I_PC_STD					BY.	JV		VIVEK JAIN
TITLE: Array Junction Box (8 Input 1 Output) (STD Model for Poly Crystalline Panels)						HULASI METALS PVT. LTD. JAIPUR			

Overall dimensions are in mm & subject to tolerance of +/- 0.5mm & center to center +/- 2mm